

MFJ Enterprises, Inc.

**300 Industrial Park Rd
Starkville, MS 39759 USA**

MFJ-872, MFJ-873, & MFJ-874

SWR & Power Meter Instruction Manual

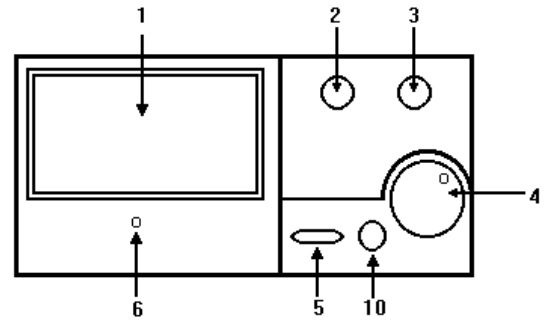
This SWR & Power meter is a highly accurate RF meter for measuring Forward Power, Reflected Power, and VSWR.

Main Features:

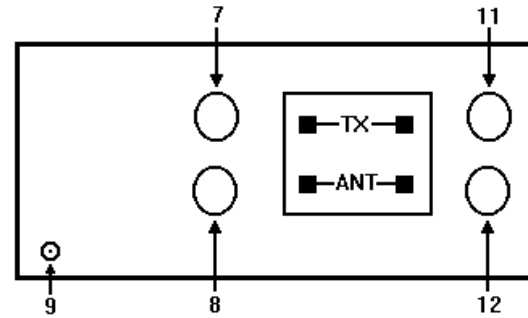
- Large meter display for easy reading.
- Forward RF power readings, switchable to indicate either average power or Peak Envelop Power (PEP) for SSB and AM transmitters.
- Reflected RF power readings.
- VSWR ratios.
- Illuminated meter.
- Convenient control for easy operation.

Model	MFJ-872	MFJ-873	MFJ-874
Frequency Range	1.8 - 200 MHz	125 - 525 MHz	1.8 - 525 MHz
Power Range	1W to 200W		
Power Scale	5W, 20W, 200W		
Maximum Power	200W		
Accuracy 5W Range	+/- 10% (AVG)		
	+/- 15% (PEP)		
20W-200W Range	+/- 5% (AVG)		
	+/- 10% (PEP)		
VSWR	Min Power required = 1 Watt for F.S.D.		
Input/Output Impedance	50 Ohms		
Input/Output Connectors	SO-239		
Dimensions (W/H/D) in	7.5 X 3.35 X 5.3		
Weight (lbs)	1.76		
Accessories	Instruction Manual & Lead wire with DC Plug		

Front Panel



Back Panel



Explanation of Features:

1. Meter Display: Indicates Forward/Reflected Power in Watts and SWR ratio.
2. Function Switch: Selects Forward Power, Reflected Power, SWR SET, SWR.
3. Range Switch: Selects RF Power Ranges of 5W, 20W, and 200W.
4. SWR SET Control Knob: Sets full scale deflection when measuring VSWR.
5. AVG/PEP Monitor: Selects Average or PEP RF Power Readings.
6. Meter Zero adjust: Mechanical zero adjustment for meter needle.
7. TX Connector (125 - 525 MHz): Coax connector to transmitter 50 Ohm RF output.
8. ANT Connector (125 - 525 MHz): Coax connector to 50 Ohm antenna system.
9. 13.8V DC connection for meter illumination.
10. HF/V.UHF BAND Selector Switch. (MFJ-874 only)
11. TX Connector (1.8 - 200 MHz): Coax connector to transmitter 50 Ohm RF output. (MFJ-874 only)
12. ANT Connector (1.8 - 200 MHz): Coax connector to 50 Ohm antenna system. (MFJ-874 only)

Note: If meter lighting is required, use the DC cable enclosed and connect it to a 13.8V DC source.

FORWARD POWER MEASUREMENT

1. Set the FUNCTION switch to the 'FWD' position.
2. Set the radio transceiver to transmit and read the scale corresponding to the Power range selected (5W, 20W, or 200W)
3. When the AVG/PEP button is 'out' the meter reads average RF power. When the AVG/PEP button is depressed the meter reads Peak Envelope Power for use with SSB and AM transmissions. In this mode there will be a slow rise and decay time.

REFLECTED POWER MEASUREMENT

1. Set the FUNCTION switch to the 'REF' position.
2. Set the radio transceiver to transmit and read the scale corresponding to the Power range selected (5W, 20W, or 200W)

3. When the AVG/PEP button is 'out' the meter reads average RF power. When the AVG/PEP button is depressed the meter reads Peak Envelope Power for use with SSB and AM transmissions. In this mode there will be a slow rise and decay time.

VSWR MEASUREMENT

1. Set the FUNCTION switch to the 'SWR SET' position.
2. Set the radio transceiver to transmit mode.
3. Slowly turn the SWR SET Control Knob clockwise until the meter point is at the 'CAL ▼' position. This should be full scale.
4. Set the FUNCTION switch to the 'SWR' position while transmitting. The meter will now indicate the SWR ratio.

CAUTION

1. Since the meter movement is very sensitive, avoid excessive vibration or mechanical shock to the unit.
2. The absolute maximum power that should be applied to the meter is 200W. Also observe maximum power inputs of 5W and 20W when using the lower two ranges.
3. The transceiver and antenna connections to the meter must never be reversed. Always observe the correct connections to the transmitter and the antenna as indicated on the back panel and in this Instruction Manual.
4. The meter has been carefully calibrated at the factory. Tampering with any of the internal circuitry or sensors may cause damage and will degrade the accuracy of the meter.
5. Do not expose the meter to excessive temperatures, high humidity, or strong magnetic fields.

FULL 12 MONTH WARRANTY

MFJ Enterprises, Inc. Warrants to the original owner of this product, if manufactured by MFJ Enterprises, Inc. and purchased from an authorized dealer or directly from MFJ Enterprises, Inc. to be free from defects in material and workmanship for a period of 12 months from date of purchase provided the following terms of this warranty are satisfied.

1. The purchaser must retain the dated proof-of-purchase (bill of sale, canceled check, credit card or money order receipt, etc.) describing the product to establish the validity of the warranty claim and submit the original of machine reproduction or such proof-of-purchase to MFJ Enterprises, Inc. at the time of warranty service. MFJ Enterprises, Inc. shall have the discretion to deny warranty without dated proof-of-purchase. Any evidence of alteration, erasure, or forgery shall be cause to void any and all warranty terms immediately.
2. MFJ Enterprises, Inc. agrees to repair or replace at MFJ's option without charge to the original owner any defective product under warranty, provided the product is returned postage prepaid to MFJ Enterprises, Inc. with a personal check, cashiers check, or money order for \$7.00 covering postage and handling.
3. MFJ Enterprises, Inc. will supply replacement parts free of charge for any MFJ product under warranty upon request. A dated proof-of-purchase and a \$5.00 personal check, cashiers check, or money order must be provided to cover postage and handling.
4. This warranty is NOT void for owners who attempt to repair defective units. Technical consultation is available by calling (601) 323-5869.
5. This warranty does not apply to kits sold by or manufactured by MFJ Enterprises, Inc.
6. Wired and tested PC board products are covered by this warranty provided on the wired and tested PC board product is returned. Wired and tested PC boards installed in the owner's cabinet or connected to switches, jacks, or cables, etc. sent to MFJ Enterprises, Inc. will be returned at the owner's expense unrepaired.
7. Under no circumstances is MFJ Enterprises, Inc. liable for consequential damages to person property by the use of any MFJ products.
8. Out-of-warranty Service: MFJ Enterprises, Inc. will repair any out-of-warranty product provided the unit is shipped prepaid. All repaired units will be shipped COD to the owner. Repair charges will be added to the COD fee unless other arrangements are made.
9. This warranty is given in lieu of any other warranty expressed or implied.
10. MFJ Enterprises, Inc. reserves the right to make changes or improvements in design or manufacture without incurring any obligation to install such changes upon any of the products previously manufactured.
11. All MFJ products to be serviced in-warranty or out-of-warranty should be addressed to MFJ Enterprises, Inc., 300 Industrial Park Road, Starkville, Mississippi 39759, USA and must be accompanied by a letter describing the problem in detail along with a copy of your dated proof-of-purchase.

12. This warranty gives you specific rights, and you may also have other rights which vary from state to state.